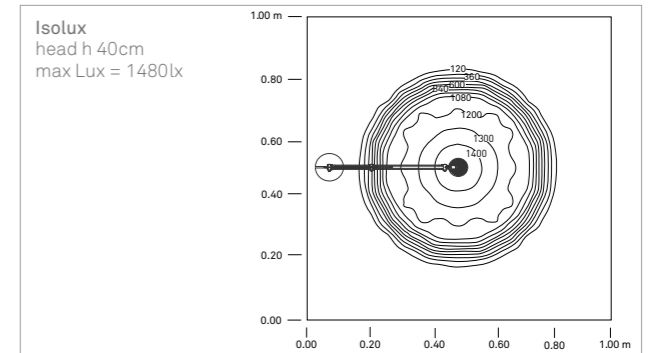
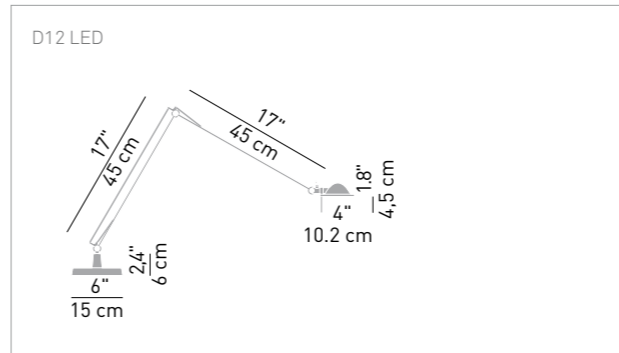
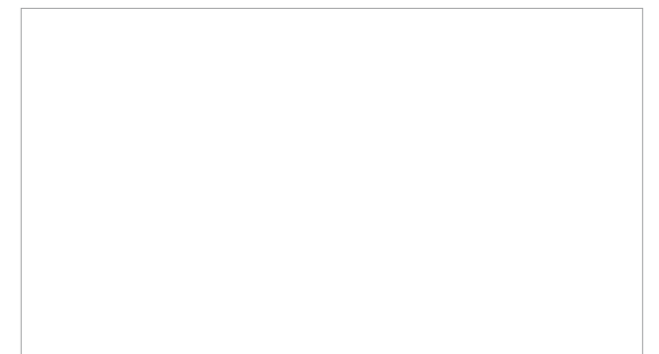


BERENICE LED

D12 LED



**Lamp**  
 LED warm white  
 7,8W  
 Power supply 24V  
 from 2900 to 3000 °K  
 Ra 80



**Materials**  
 aluminium body die-cast aluminium metal parts die-cast magnesium head

**Structure finishes**  
 alu       black



**Note**  
 low-voltage current reaches the light source through its rods without electric wiring



for photometric data, see [www.luceplan.com](http://www.luceplan.com)

