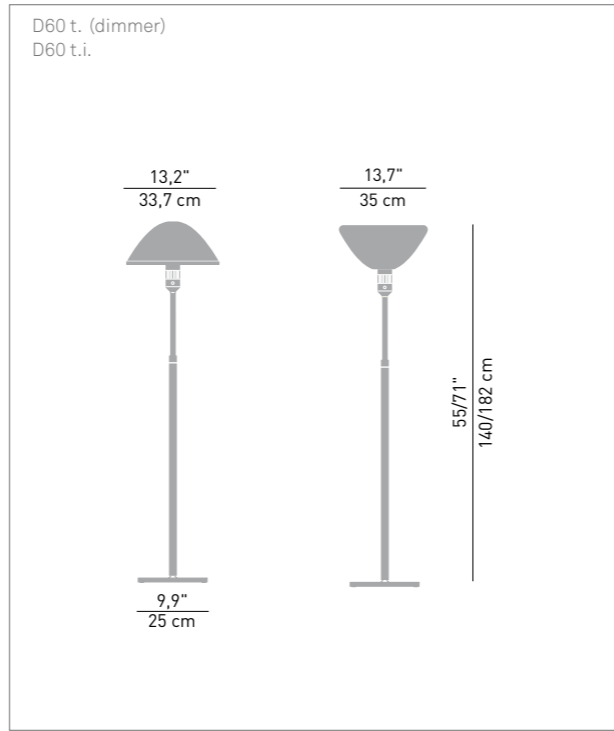
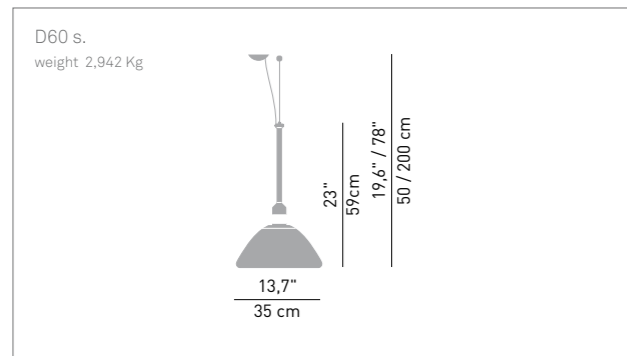
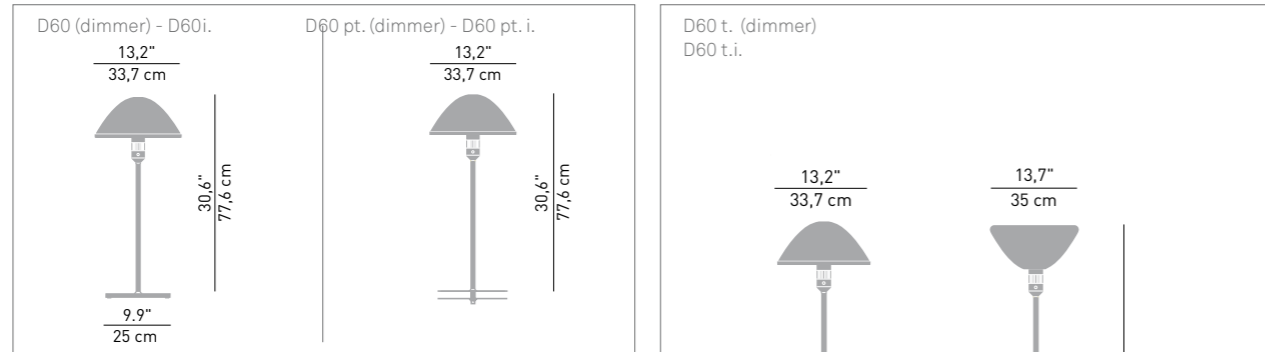


MIRANDA

D60



Lamp
D60

- 250W HSGST/F E27
- 105/140W HSGSA E27 energy saver

Materials
aluminium body opaline blown glass diffuser

Structure finishes
● alu

Diffuser
○ opal

Note
the cylindrical form of the lamp holder makes the assembly and disassembly of the components easier



for photometric data, see www.luceplan.com

