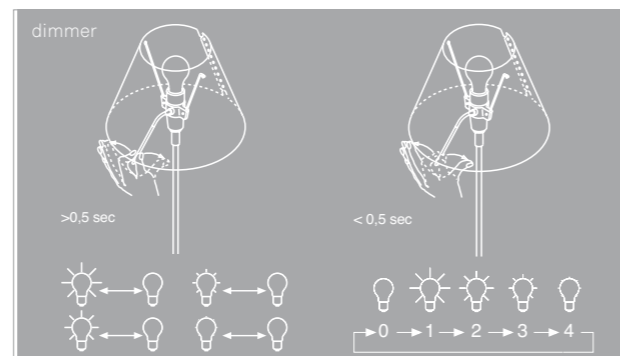
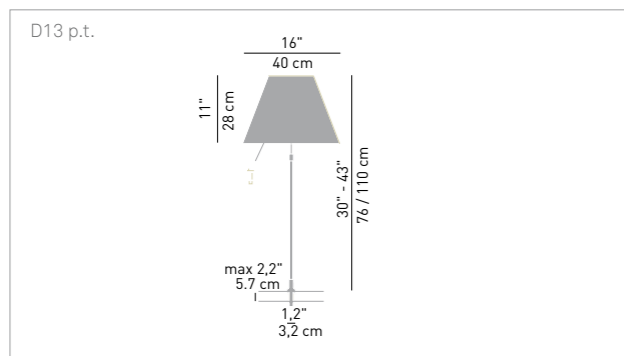
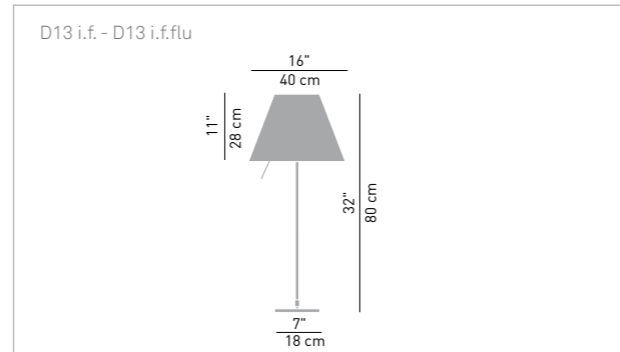
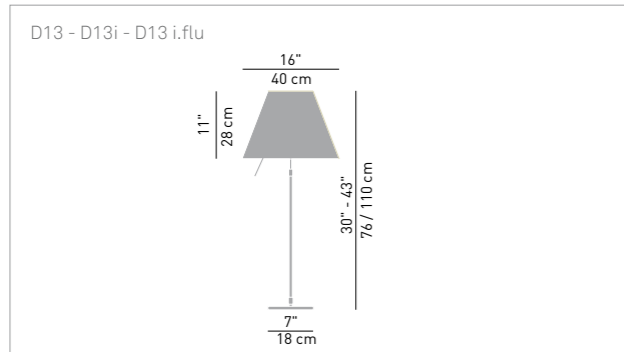


COSTANZA

D13



<p>Lamp D13</p> 150W IAA/W E27 105W HSGSA/C E27 energy saver	<p>Lamp D13.flu</p> 18W FSM GX24q-2
---	--

D13/90 accessory diffuser

Polycarbonate diffuser for HSGSA/C/UB E27 Energy saver max 105W bulbs (included). Mounting on the diffuser's rods support.

Materials
aluminium stem interchangeable polycarbonate silkscreened shade

Structure finishes

alu
 black
 metal gun

Shade finishes

blu
 red
 pistachio
 orange
 ivory
 black
 white

Note

(*)

for photometric data, see www.luceplan.com

(*) fluo versions are not ENEC

