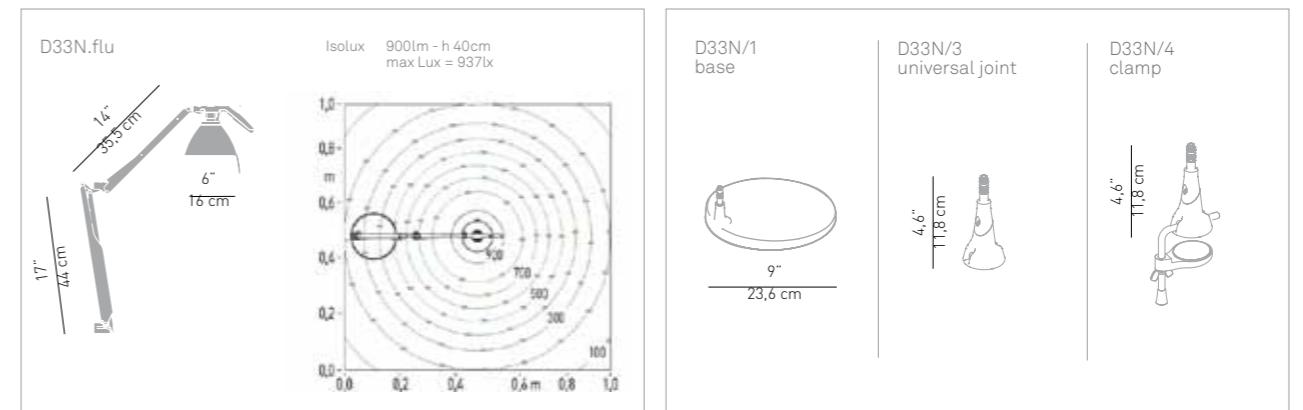
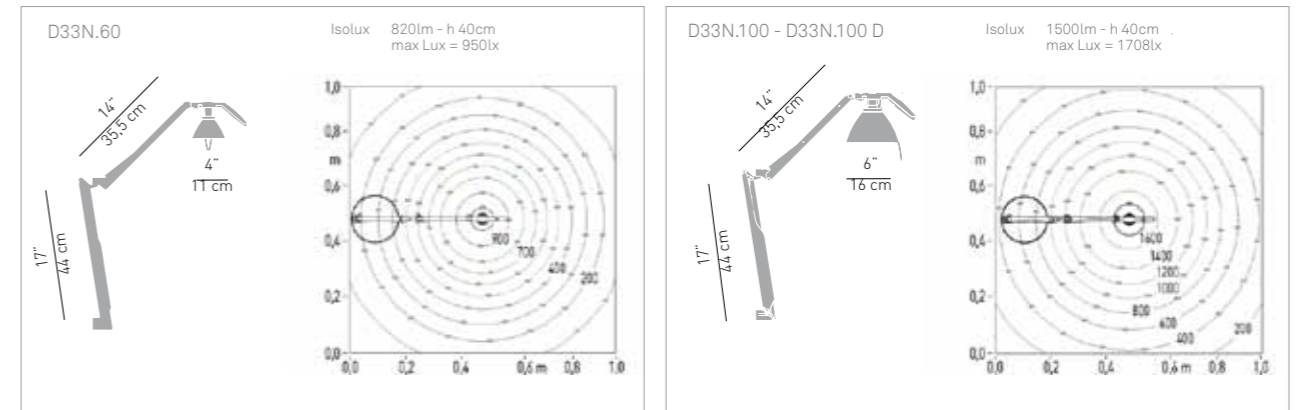


FORTEBRACCIO

D33



Lamp	D33N.100	D33N.flu
<p>D33N.60</p> <ul style="list-style-type: none"> 60W IBP/F E14 60W HSGST/F E14 28W Spot R50 E14 energy saver 	<ul style="list-style-type: none"> 100W IAA/F E27 70W HSGSA E27 energy saver 100W HSGST/F E27 42W Spot R63 E27 energy saver 	<ul style="list-style-type: none"> 13W FSM GX24d-1

Materials
 injection-moulded grip /moulded polycarbonate sheared and formed steel arms die-cast metal joints

Structure finishes
 ○ glossy white ● black soft-touch ● alu

Note
 the lamp's two arms rotate independently, horizontally and vertically, allowing Fortebraccio to take on extreme and functional positions



for photometric data, see www.luceplan.com