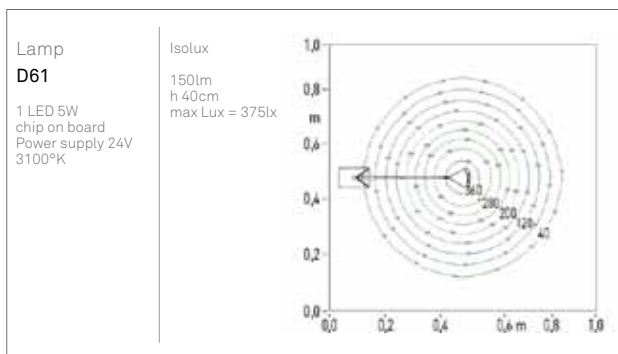
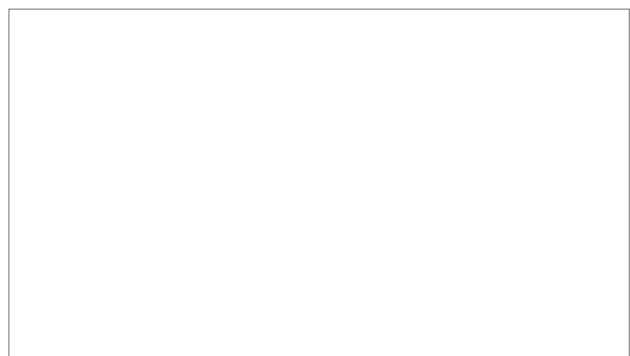
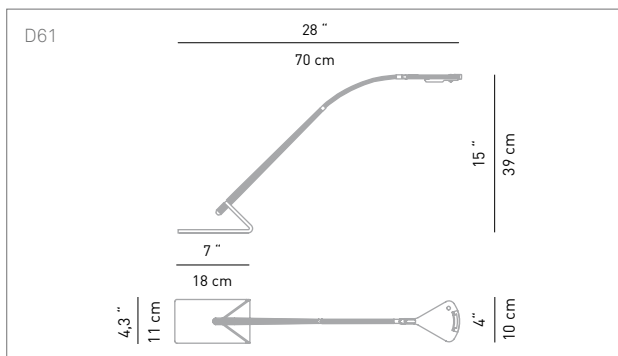


MIX

D61



Materials
flexible aluminium stem anodised aluminium and injection-moulded methacrylate head
bent and enamelled sheet metal base

Structure finishes
● metal

Base finishes
● metal

Note
very low consumption (only 5W)



for photometric data, see www.luceplan.com