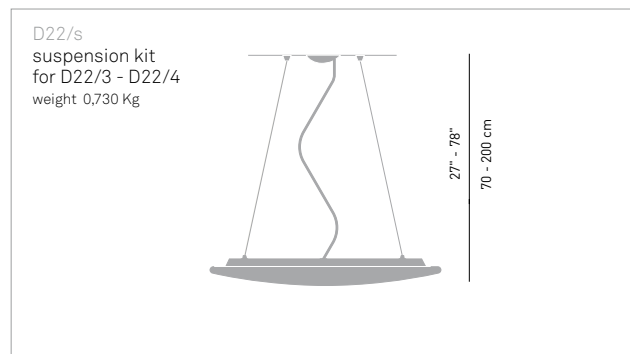
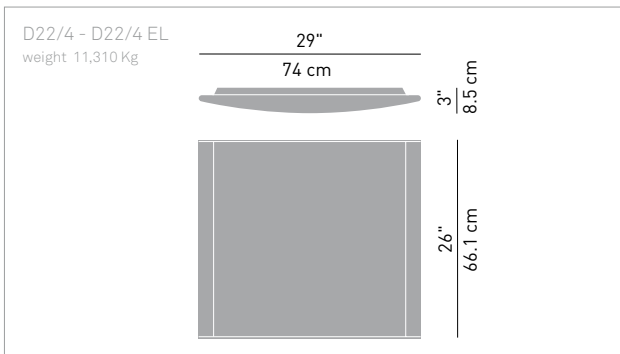
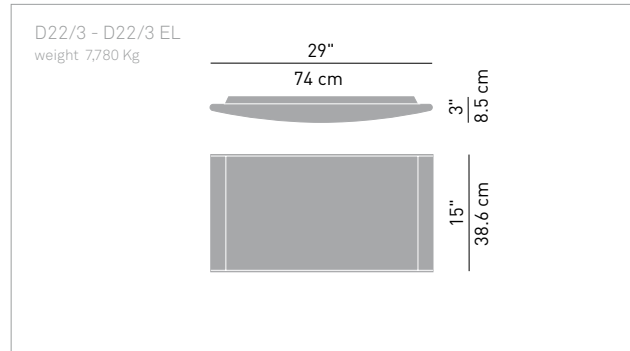
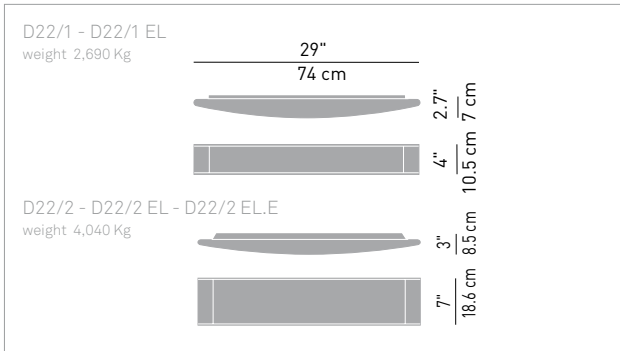


STRIP

D22



Lamp	D22/1	D22/1 EL	D22/2	D22/2 EL	D22/2 EL.E
	2x13W FD(T5) G5 Ø16	2x14W FD(T5) G5 Ø16	2x18W FD(T8) G13 Ø26	2x24W FD FD(T5) G5 Ø16	2x14W FD FD(T5) G5 Ø16 emergency

Lamp	D22/3	D22/3 EL	D22/4	D22/4 EL
	4x18W FD(T8) G13 Ø26	4x24W FD(T5) G5 Ø16	6x18W FD(T8) G13 Ø26	6x24W FD FD(T5) G5 Ø16

Materials  
bent, powder-painted metal plate body opaline polycarbonate sheet diffusor

Structure finishes

white       painted alu       polished alu

Diffusor finishes

white opaline

Note  
using the suspension kit D22/s, the degree of protection is IP20

IP40 (\*)

for photometric data, see [www.luceplan.com](http://www.luceplan.com)

(\*) Note: D22/1EL, D22/2EL, D22/2EL.E, D22/3EL, D22/4EL versions have not ENEC Certification