



ETHER
design: Patrick Jouin

ETHER

design: Patrick Jouin

pendant

Diffuser: hand blown glass
Diffuser color: clear
Structure: polished steel

suspension

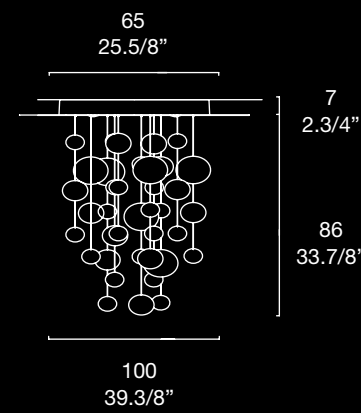
Diffuseur: verre soufflé
Diffuser color: transparent
Armature: acier brillant

lámpara de suspensión

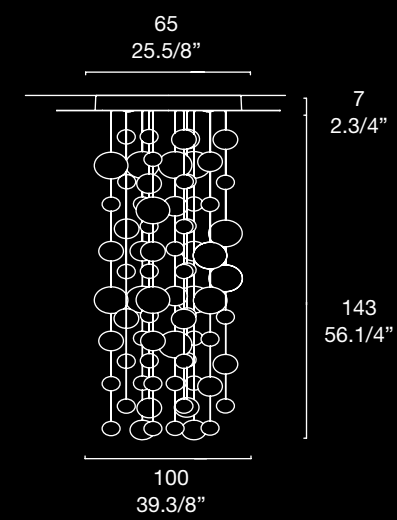
Difusor: cristal soplado
Color difusor: transparente
Soporte: acero brillante

Dimensions

ETHER S 90



ETHER S 150



Lamp type



max 4 x 75W G53



with LED
max 4 x 50W G53



+ max 1 x 5W multi color high power LED GU 5.3
+ remote control

