

LEUCOS®

INSTALLATION INSTRUCTIONS - LEUCOS SUA

BISQUIT PL 1

A1 Enclosed



One installer



Save instructions

Revised
05 February

WARNING:

- DISCONNECT POWER BEFORE INSTALLATION.
- FIXTURE TO BE INSTALLED BY A CERTIFIED ELECTRICIAN.
- INSTALL IN ACCORDANCE WITH THE NATIONAL AND LOCAL ELECTRICAL CODES.
- TAKE GREAT CARE TO AVOID SCRATCHING OR CHIPPING THE GLASS WHEN CARRYING OUT THE OPERATIONS BELOW

1. **FIG.1** Install the structure "A" on the J-box for U.S.A. market only by the slots provided as shown.
2. **FIG.1** Make electrical connections to supply wires.
3. Place the structure "B" on plate "A" by screwing the three "C" screws on the corresponding threaded brackets on plate "A". (**FIG. 1**).
4. Install the bulbs into the lampholders and make a working test prior to place the diffuser,.
5. Place correctly the diffuser, as shown, and lock it on the top threaded rod "F" by screwing the polished chrome disk provided "D" (It is necessary to make a safe fitting so that we suggest to use the "Y" key provided). Take care to tighten completely in order to secure a safe locking.
6. Restore power.

BISQUIT PL 1: 3X40W E12 Type G16. ½ candelabre base 

2x18 W / 120V G24q2 Type quad tube 

2x26 W / 120V G24q3 Type quad tube 

FOR U.S.A. MARKET ONLY



MOUNTS TO STANDARD IUNCTION BOX

CIRCUIT DIAGRAM:

WHITE NEUTRAL

BLACK PHASE

GREEN-YELLOW

BARE COPPER WIRE

Ground



For additional information please contact your local dealer or **LEUCOS U.S.A.** At:
Tel. (732) 225-0010 Fax (732) 225-0250 www.leucos.com - e-mail: info@leucosusa.com

FIG. 1

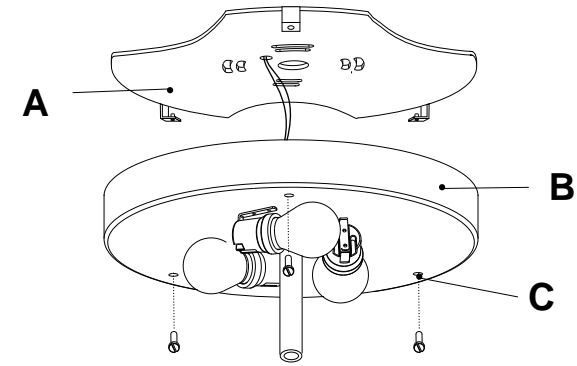
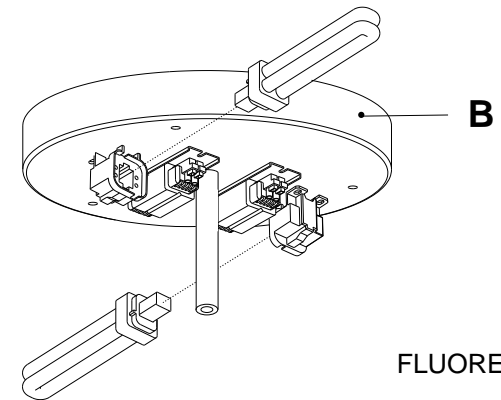


FIG. 2



FLUORESCENT VERSION

FIG. 3

