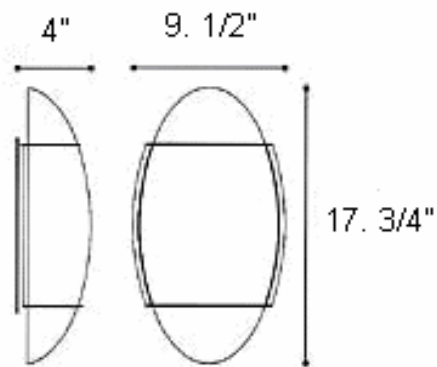
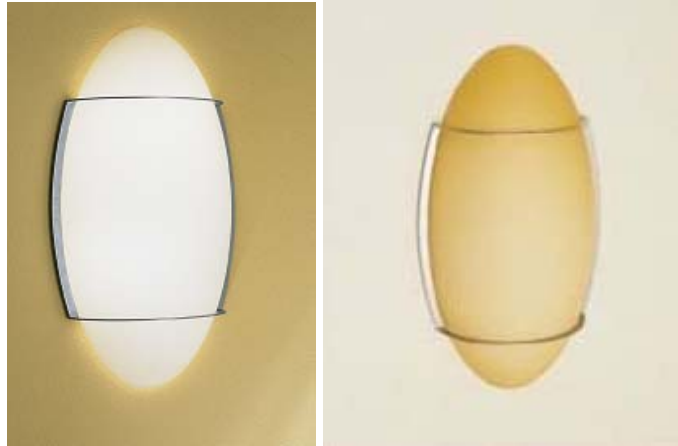


**ROY**  
Design R. PAMIO



- DESCRIPTION:** Large-scale, ADA compliant, wall or ceiling design provides diffused illumination from its incandescent or fluorescent light source. A simple titanium painted frame encloses the hand-blown glass diffuser.
- CONSTRUCTION:** The hand-blown glass diffuser is easily removed from the frame for simple relamping. Can be wall mounted vertical or horizontal position, in addition to the ceiling. Mounts to a standard 4" octagonal junction box.
- LIGHT SOURCE:** 2 x 60 watt, incandescent, A-19 (Provided)  
2 x 13 watt, fluorescent, PL-13 recessed contact (Not Provided)  
2 x 18 watt, fluorescent, PL-18 recessed contact (Not Provided)
- GLASS COLOR:** Satin White or Satin Amber
- NET WEIGHT:** 9 lbs.

**Leucos USA, Inc.**  
11 Mayfield Avenue  
Edison, NJ 08837  
Tel: 732-225-0010  
Fax: 732-225-0250  
[www.leucos.com](http://www.leucos.com)