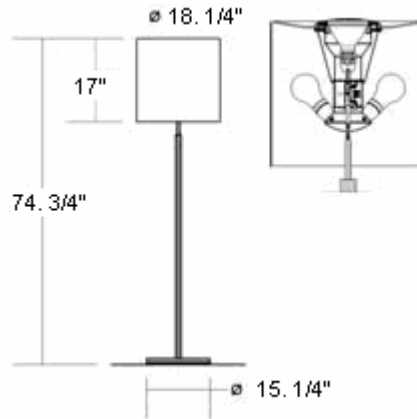


CLASS TR

Design R. TOSO - N. MASSARI & ASSOCIATES



- DESCRIPTION:** An elegant large-scale design that provides upward diffused and down light from its multiple incandescent light sources. The hand blown, classic shade appears to float and is available in two colors.
- CONSTRUCTION:** A weighted stem and base in brushed nickel support the large-scale shade. On/Off switching on the cord provide for separate control of the up and down lights.
- LIGHT SOURCE:** Down light: 3 x 100 watt, incandescent, A-19 (Provided)
Up light: 1x 90 watt, incandescent, Par 38 (Provided)
- GLASS COLOR:** Satin White and Satin Amber
- NET WEIGHT:** 65 lbs.

Leucos USA, Inc.
11 Mayfield Avenue
Edison, NJ 08837
Tel: 732-225-0010
Fax: 732-225-0250
www.leucos.com