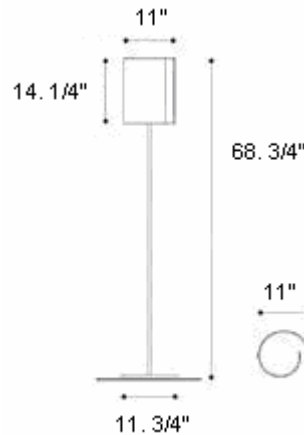


DIANE TR
DESIGN R. PAMIO



DESCRIPTION: Stately floor lamp with an elongated, sliced hand-blown glass shade. An incandescent light source provides upward, downward and diffused illumination.
Companion wall, floor, and table designs available.

CONSTRUCTION: The large-scale hand-blown shade, which is sliced after removal from its mold, sits atop a brushed nickel round base and stem.
An on/off switch is provided on a black cord.

LIGHT SOURCE: 1 x 100 watt, incandescent, A-19, medium base (provided)

FINISH: Brushed Nickel

GLASS COLOR: Satin White, Satin Amber

NET WEIGHT: 38 lbs.

Leucos USA, Inc.
11 Mayfield Avenue
Edison, NJ 08837
Tel: 732-225-0010
Fax: 732-225-0250
www.leucos.com