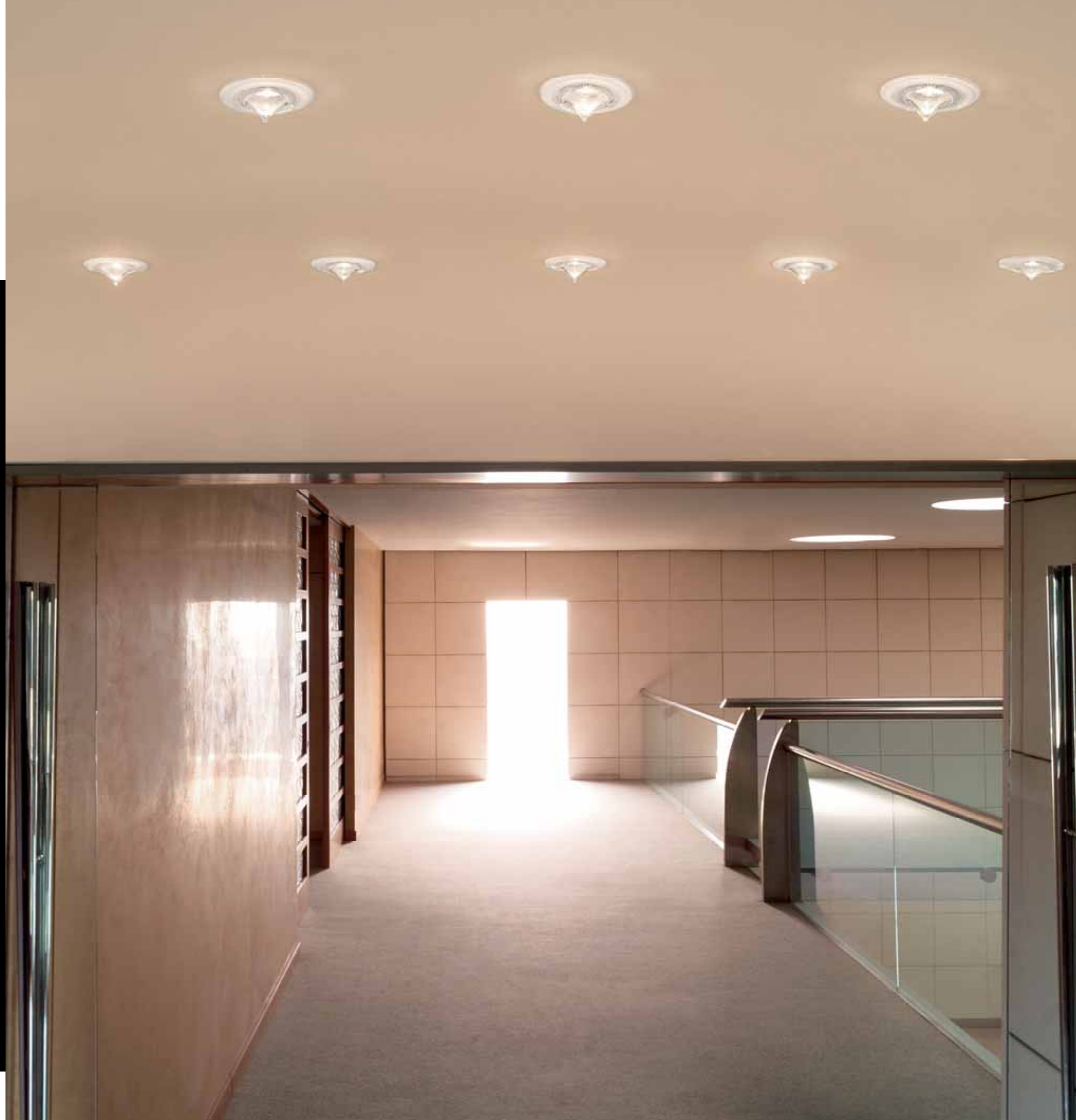


D R O P

DESIGN R. TOSO - N. MASSARI & ASSOCIATES



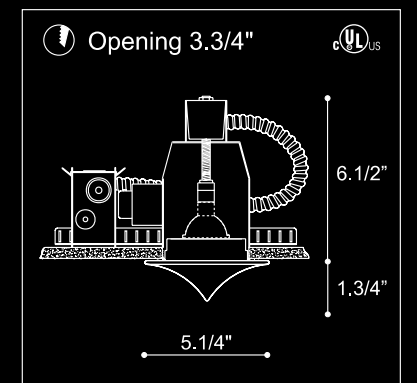
B/C - satin white with crystal



C/B - crystal with satin white



Semi-recessed fixture available with outer glass trim in frosted white and crystal tip or outer glass trim in crystal and frost white tip.



Wet location

Technical data available on pages 32/40