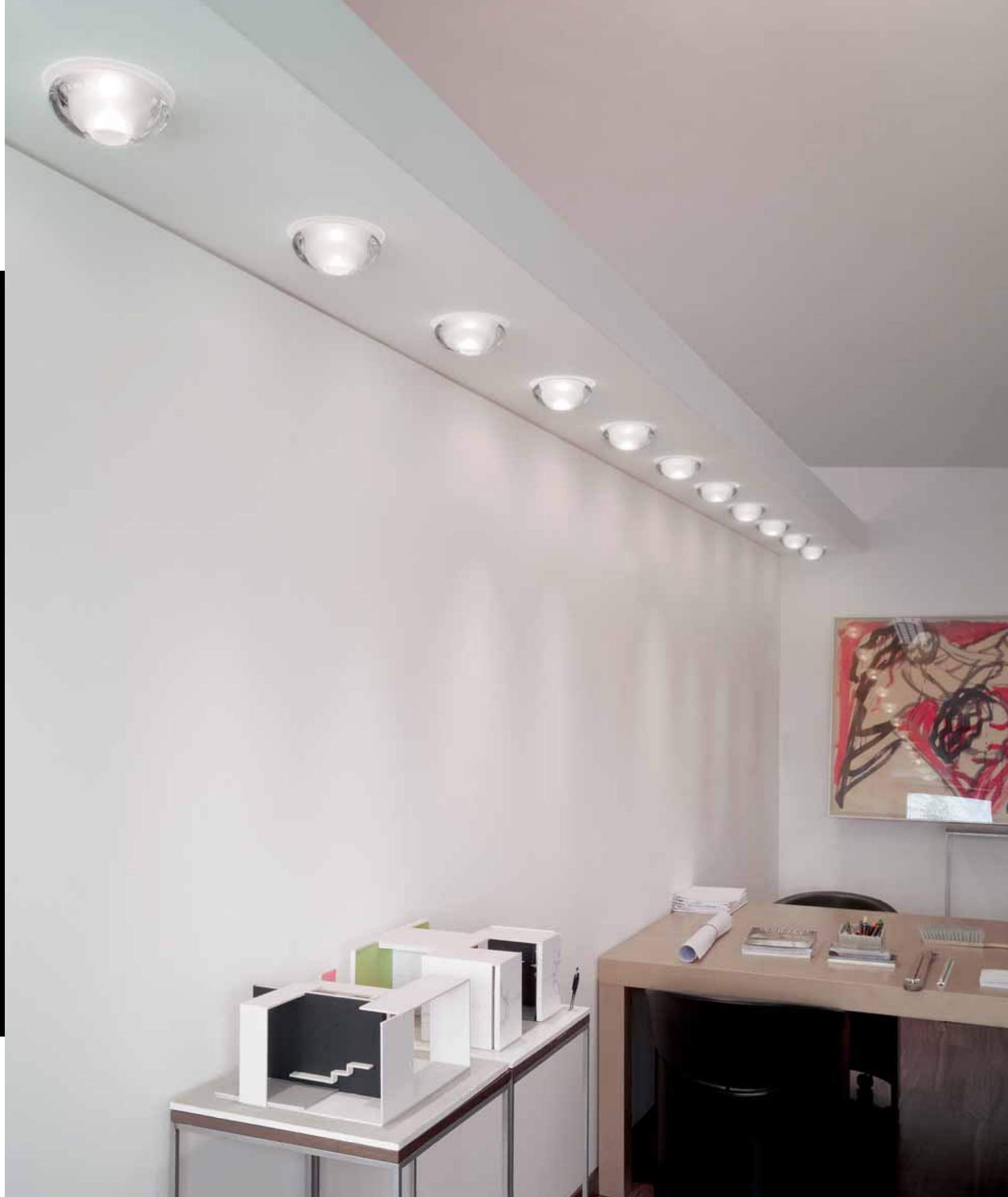


O N Y
 DESIGN R. TOSO - N. MASSARI & ASSOCIATES



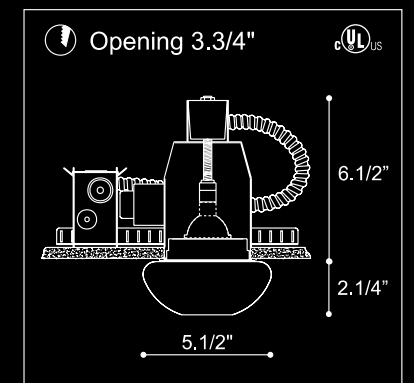
C/B - crystal and satin white



B - satin white



Semi-recessed fixture available in crystal with inside frost or satin white glass trim. Also available as pendants.



Technical data available on pages 32/40