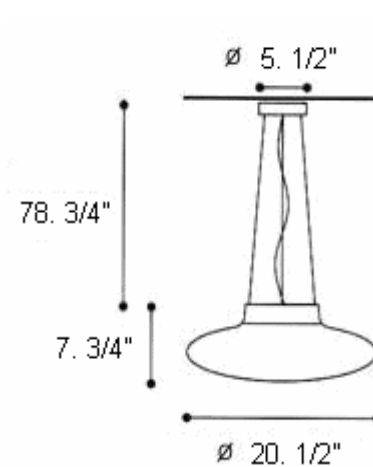
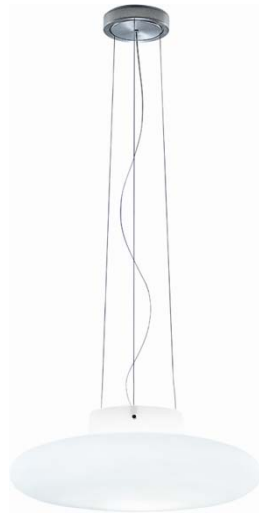


## MILD S

Design JORGE PENSI



**DESCRIPTION:** A large pendant which appears to float from its cable and cord suspension. Hand-blown, satin white glass is illuminated by an incandescent light source to provide diffused and upward illumination. A wall and ceiling version is available.

**CONSTRUCTION:** Hand-blown glass diffuser is connected to a nickel-plated brushed metal canopy by three steel cables. Mounts to a standard 4'' octagonal junction box. Power cord available in white.

**LIGHT SOURCE:** 1 x 100 watt, incandescent, A-19 (Provided)

**GLASS COLOR:** Satin White

**NET WEIGHT:** 16 lbs.

**Leucos USA, Inc.**  
11 Mayfield Avenue  
Edison, NJ 08837  
Tel: 732-225-0010  
Fax: 732-225-0250  
[www.leucos.com](http://www.leucos.com)