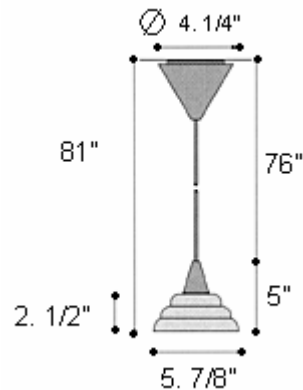


**NELLY S-ST**  
DESIGN ROBERTO PAMIO



PAINTED TITANIUM - CLEAR CRYSTAL GLASS



- DESCRIPTION:** Small-scale, low-voltage pendant providing downward and diffused light through a ribbed, satin or clear glass diffuser. Available in 4 colors.
- CONSTRUCTION:** Hand poured Murano glass diffuser connected to PVC coated flexible steel cable concealing electrical wires. Optional electronic transformer is encased in a baked enamel polycarbonate canopy that mounts to a standard 4" octagonal junction box.  
\* Standard length: 76"  
\* Custom length available upon request (maximum 196")
- \* Canopy Options:  
**Nelly S** = excludes 50 watt electronic transformer  
**Nelly ST** = includes 50 watt electronic transformer
- LIGHT SOURCE:** 1 x 50 watt, halogen, MR-16, 12 volt (Not Provided)
- FINISH:** Canopy, faceplate and cable: Matte Black or Painted Titanium.
- GLASS COLOR:** Clear Crystal, Satin White, Satin Blue
- NET WEIGHT:** 5 lbs.

**Leucos USA, Inc.**  
11 Mayfield Avenue  
Edison, NJ 08837  
Tel: 732-225-0010  
Fax: 732-225-0250  
www.leucos.com