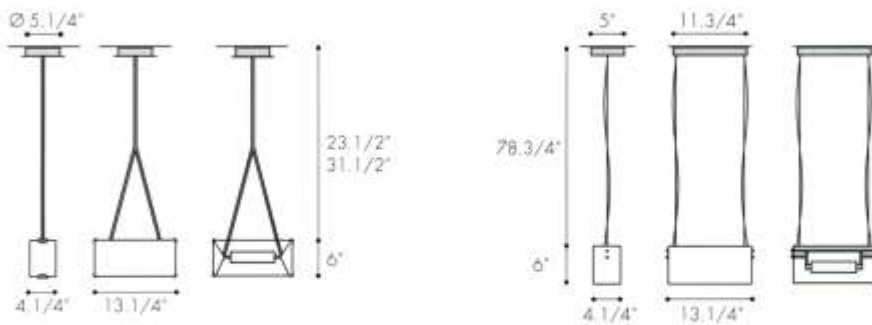


VITTORIA pendant



Vittoria S2 - clear glass



DESCRIPTION: An oval-shaped, blown glass diffuser floats on cable or stem to provide downward, upward and diffused illumination from a halogen light source. The glass shade is available in multiple finishes, including a sparkling clear crystal. Companion wall, table and floor designs available.

CONSTRUCTION: S: A rigid stem supports the glass diffuser that attaches to a round canopy and standard junction box. With the clear crystal version, a perforated metal diffuser is provided for glare reduction.
S/2: Clear cord and cable mount to an oval shaped canopy and then to a standard junction box. The glass is then suspended from the cable.

LIGHT SOURCE: 1x200 watt, Quartz Halogen, T3 RSC (Provided) 

GLASS COLOR: Clear Crystal
Satin White, Amber, Red, Cobalt Blue & Nile Green

METAL FINISHES: S: Polished Chrome
S2: with crystal: Polished Chrome
with satin glass: Polished Chrome or Brushed Nickel

NET WEIGHT: S: 10 lbs
S2: 8 lbs