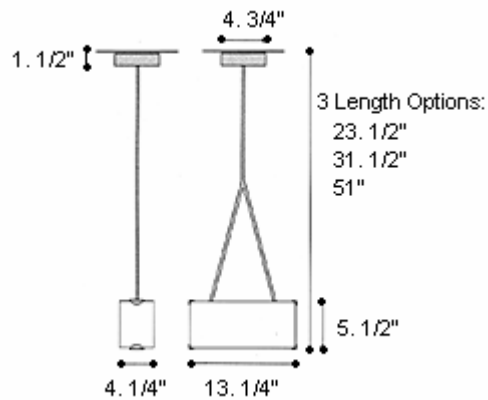


# VITTORIA S

DESIGN R. TOSO, N. MASSARI & ASSOCIATES



**DESCRIPTION:** Pendant fixture providing upward, downward and diffused illumination from its elliptical shaped Murano glass diffuser.  
Companion wall, floor, table and other pendant designs available.

**CONSTRUCTION:** Polished chrome stem and canopy, which mount to a standard 4" octagonal junction box, hold the diffuser in place. The line-voltage halogen light source is concealed within a frosted glass cylinder.  
Available in 3 stem lengths. See above drawing and specify accordingly.

**LIGHT SOURCE:** 1 x 200 watt, quartz halogen, T3 RSC (provided)

**FINISH:** Polished Chrome

**GLASS COLOR:** Satin White, Satin Amber, Satin Red, Satin Nile Green, Satin Cobalt Blue, Gloss Orange, Clear Crystal, Mirrored-Chrome Glass

**NET WEIGHT:** 10 lbs.

**Leucos USA, Inc.**  
11 Mayfield Avenue  
Edison, NJ 08837  
Tel: 732-225-0010  
Fax: 732-225-0250  
www.leucos.com