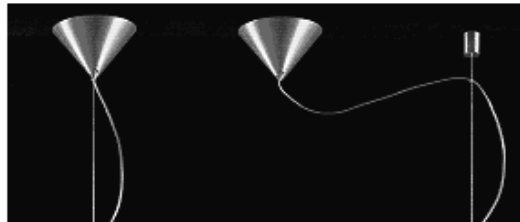


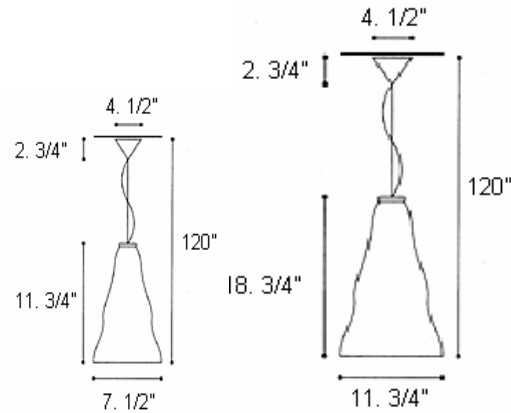
VIVIA S - S19

DESIGN R. TOSO, N. MASSARI & ASSOCIATES



Standard
Suspension

Swag Kit
Suspension



VIVIA S19

VIVIA S

- DESCRIPTION:** A graceful, cone-shaped pendant that features a blown glass shade in two scales and numerous glass finishes. An incandescent light source provides diffused and downward illumination. Companion wall and table designs available.
- CONSTRUCTION:** Glass diffusers are cable suspended with clear cord to a cone-shaped, brushed nickel canopy that mounts to a standard 4" octagonal junction box. 10' of cord/cable is standard but additional length is available upon request. A ceiling support for a swag application is available. Swag information available separately.
- LIGHT SOURCE:** 1 x 100 watt, incandescent, A-19, medium base (provided)
- FINISH:** Brushed Nickel
- GLASS COLOR:** S19: Gloss White, Gloss Amber, Satin White, Satin Amber, Amber Spotted, White Striped, Gloss Orange
S: Satin White, Satin Amber, Amber Spotted, White Striped
- NET WEIGHT:** S19: 7 lbs. / S: 15 lbs.

Leucos USA, Inc.
11 Mayfield Avenue
Edison, NJ 08837
Tel: 732-225-0010
Fax: 732-225-0250
www.leucos.com