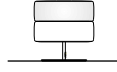


LEUCOS®

INSTALLATION INSTRUCTIONS

BISQUIT TR and BISQUIT T



A1 Enclosed



One installer



Save instructions

Revised
12 Luglio 2006

WARNING:

- DISCONNECT POWER BEFORE INSTALLATION.
- FIXTURE TO BE INSTALLED BY A CERTIFIED ELECTRICIAN. INSTALL IN ACCORDANCE WITH THE NATIONAL AND LOCAL ELECTRICAL CODES.
- TAKE GREAT CARE TO AVOID SCRATCHING OR CHIPPING THE GLASS WHEN , CARRYING OUT THE OPERATIONS BELOW

ATTENTION IN CASE OF DAMAGE OF THE FLEXIBLE SUPPLY CABLE, SUBSTITUTION SHOULD BE CARRIED OUT BY THE CONSTRUCTOR, CLIENT SERVICE OR QUALIFIED

1. **Fig.1** : Guide the diffuser "D", from the top, till to match the three holes with the three threaded rivets of structure "B".
2. **Fig.1 - 2** : Lock the diffuser by the three thumb screws provided on the three matching threaded rivets "C". Take care to tight moderately by fingers. Do not use tools.
3. Place the bulb into the lampholder and make a working ceck. For the Fluorescent light source, take care to clamp the fluorescent tube inside the plastic clip "M".
4. **Fig.2** : Lean the diffuser "E" on the lower collar "W" of glass "D" as shown and take care to place it correctly.
5. **Fig. 1 - 2** : Tighten the upper disk "F", from the top, on the threaded top of rod "B". Tighten moderately by fingers. Do not use tools.
6. Restore power.

BISQUIT TR & BISQUIT T - max 1x100 W 120V E26 Type A



BISQUIT TR & BISQUIT T - max 1x22W - 2GX13 - Type FC9T5



Fig. 1

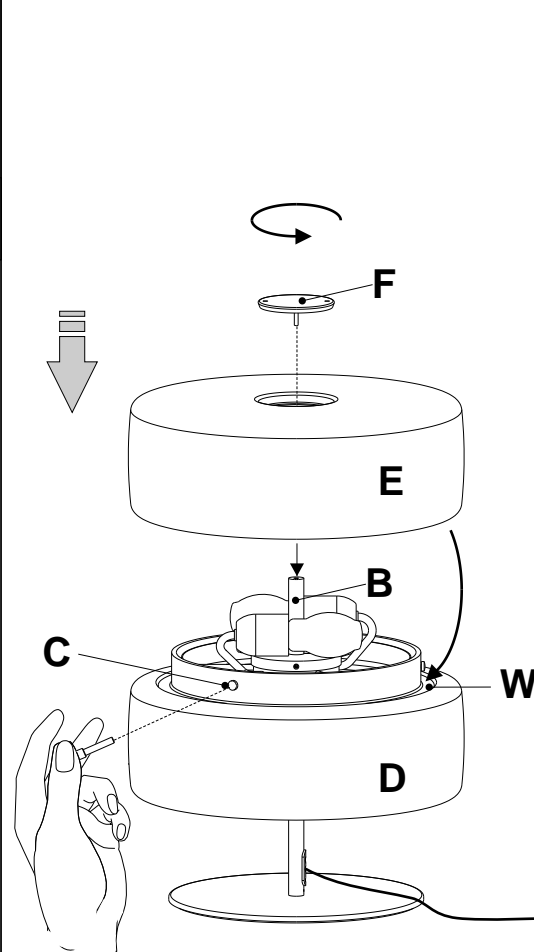
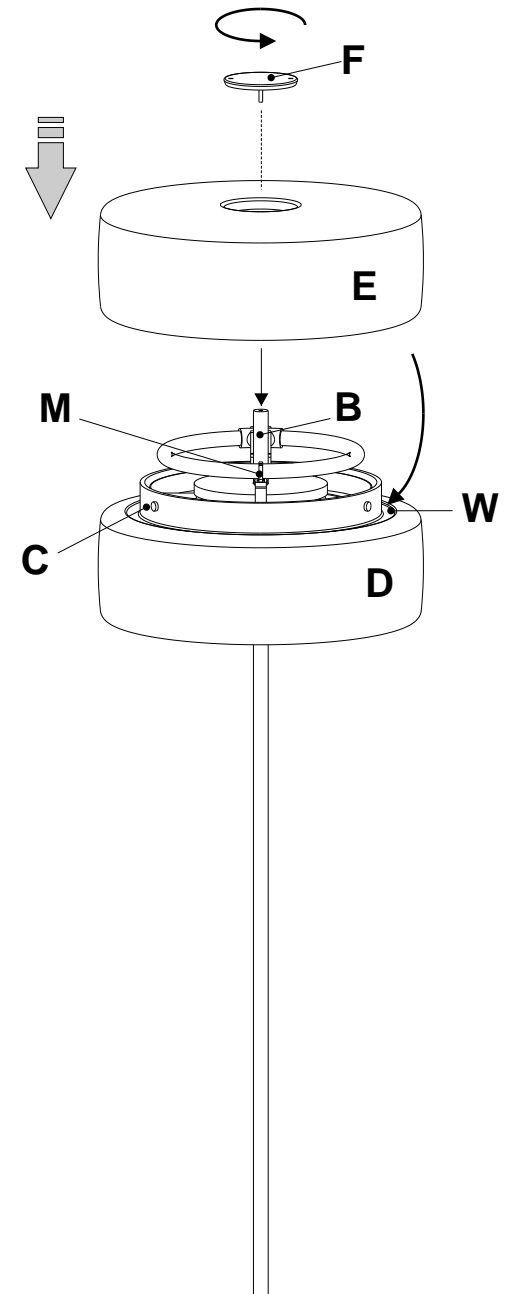


Fig. 2



For additional information please contact your local dealer
or **LEUCOS U.S.A.** at: Tel. (732) 225-0010 Fax. (732) 225-0250