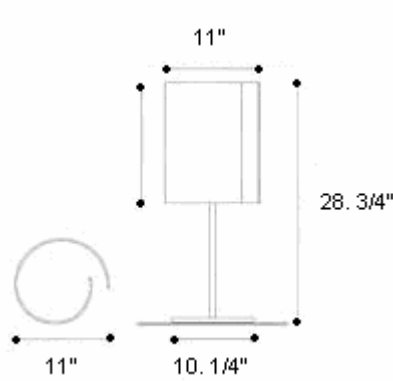
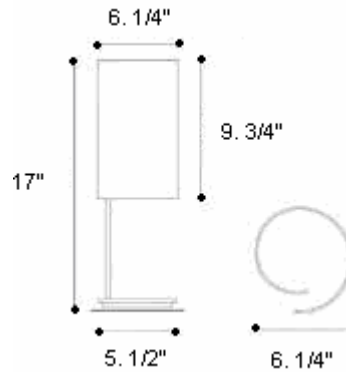


DIANE T1 - T3

DESIGN R. PAMIO



Diane T1



Diane T3

DESCRIPTION: A sculpted hand-blown glass shade, available in 2 colors, distinguishes this large-scale table lamp, which provides diffused and task illumination. Companion wall, floor and suspension designs available.

CONSTRUCTION: The hand-blown shade, which is sliced after removal from its mold, sits atop a brushed nickel round base. An on/off switch is provided on a black cord.

LIGHT SOURCE: T1: 1 x 100 watt, incandescent, A-19, medium base (provided)
T3: 1 x 60 watt, incandescent, A-19, medium base (provided)

FINISH: Brushed Nickel

GLASS COLOR: Satin White, Satin Amber

NET WEIGHT: T1: 20 lbs. / T3: 12 lbs.

Leucos USA, Inc.
11 Mayfield Avenue
Edison, NJ 08837
Tel: 732-225-0010
Fax: 732-225-0250
www.leucos.com