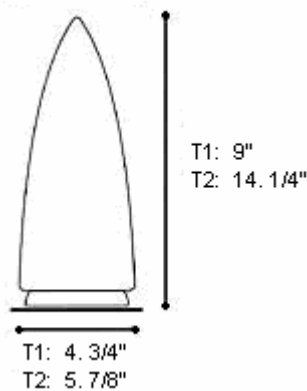


GOCCIA T1-T2

DESIGN R. TOSO N. MASSARI & ASSOCIATES



- DESCRIPTION:** Table lamp available in 2 sizes highlighted by a unique, Murano glass diffuser in frosted white and crystal. The beauty of the glass is set off by crisp incandescent light illumination. Companion ceiling, wall, floor, and pendant designs available.
- CONSTRUCTION:** A circular, painted titanium base secures the hand blown diffuser in place with 3 set screws. The black cord that exists the base contains and on/off switch.
- LIGHT SOURCE:** T1: 1 x 60 watt, incandescent, A-15, medium base (provided)
T2: 1 x 100 watt, incandescent, A-19, medium base (provided)
- FINISH:** Painted Titanium
- GLASS COLOR:** Frosted White with Clear Crystal
- NET WEIGHT:** T1: 6 lbs.
T2: 8 lbs.

Leucos USA, Inc.
11 Mayfield Avenue
Edison, NJ 08837
Tel: 732-225-0010
Fax: 732-225-0250
www.leucos.com