

KUBE T - T3 table

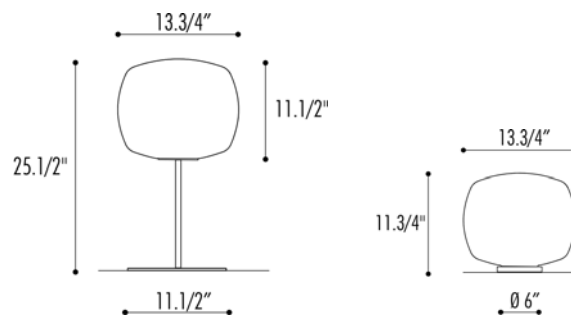
Design Marco Piva



Kube T



Kube T3



DESCRIPTION:

A slightly rounded cube of satin white glass highlights this design. An incandescent light source provides diffused illumination on both the stem and flush versions. Companion pendant and floor designs are available.

CONSTRUCTION:

The white glass cube secures to the flush, table base or stem version with a circular turning motion and no hardware. Both versions feature a black cord and on/off switch for power.

LIGHT SOURCE:

Kube T & T3 1 x 100 watt, A-19, Incandescent (Provided)

FINISHES:

Brushed Chrome

GLASS COLOR:

Satin White

NET WEIGHT:

Kube T 17 lbs
Kube T3 14 lbs

Leucos USA, Inc.
11 Mayfield Avenue
Edison, NJ 08837
Tel: 732-225-0010
Fax: 732-225-0250
www.leucos.com