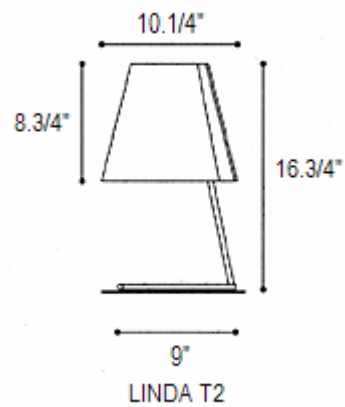
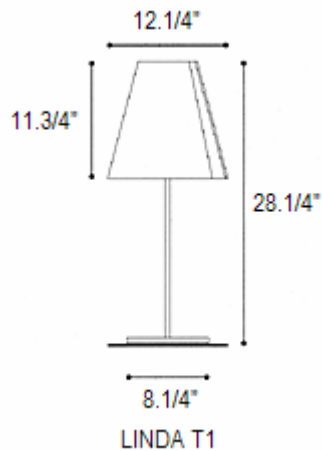


LINDA T1-T2

Design ROBERTO PAMIO



DESCRIPTION: A wrapped hand blown glass shade sits atop 2 base styles and provides diffused illumination from an incandescent light source. Companion floor and wall versions also available.

CONSTRUCTION: The glass diffuser, which is sliced to reveal the innermost white layer of glass, is supported by a brushed nickel base. An on/off switch is provided on the black cord.

LIGHT SOURCE: Linda T1: 1 x 100 watt, A-19, medium base (provided)
Linda T2: 1 x 60 watt, A-19, medium base (provided)

FINISHES: Base and support details: Brushed Nickel

GLASS COLOR: Satin White or Satin Amber

NET WEIGHT: Linda T1: 25 lbs.
Linda T2: 18 lbs.

Leucos USA, Inc.
11 Mayfield Avenue
Edison, NJ 08837
Tel: 732-225-0010
Fax: 732-225-0250
www.leucos.com