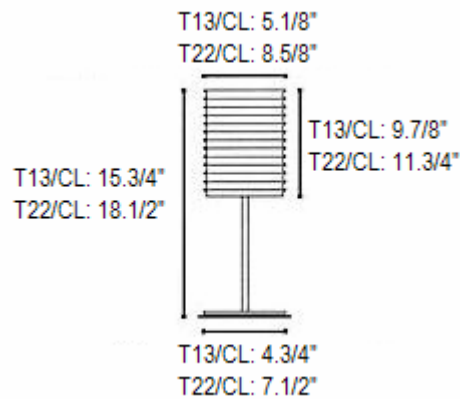


MODULO T13/CL-T22/CL

DESIGN R. TOSO, N. MASSARI & ASSOCIATES



- DESCRIPTION:** Table lamp accented with a cylindrical, hand blown glass diffuser that is layered with a white inner and highlighted by crystal edges. Available in 2 sizes, this table lamp is a great accent piece or in the larger version, a task or bedside lamp.
Extensive family of companion pendant, ceiling, wall, floor and other table designs available.
- CONSTRUCTION:** A round, brushed nickel base and stem support the glass shade. A black cord exits the stem with an on/off switch.
- LIGHT SOURCE:** T13-CL: 1 x 60 watt, incandescent, A-19, medium base (provided)
T22-CL: 1 x 100 watt, incandescent, A-19, medium base (provided)
- FINISH:** Brushed Nickel
- GLASS COLOR:** Gloss White
- NET WEIGHT:** T13-CL: 8 lbs. / T22-CL: 14 lbs.

Leucos USA, Inc.
11 Mayfield Avenue
Edison, NJ 08837
Tel: 732-225-0010
Fax: 732-225-0250
www.leucos.com