

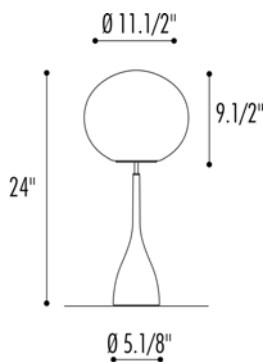
SPHERA T29 - T20 - T2 table series

Design Matteo Thun

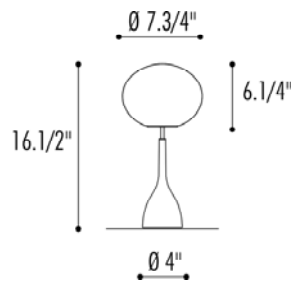


Sphera T 29 - T 20

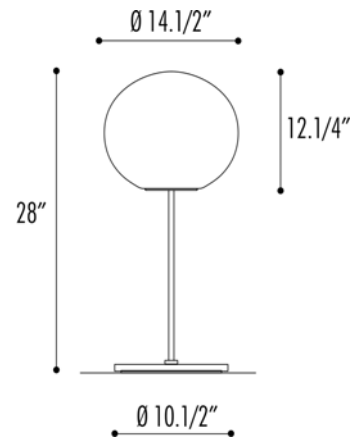
Sphera T2



Sphera T29



Sphera T20



Sphera T2

- DESCRIPTION:** A slightly flattened, oval design highlights this blown glass diffuser which provides general illumination from an incandescent light source. Companion pendant, wall, ceiling, floor and other table designs available.
- CONSTRUCTION:** Polished chrome stem and round base support the glass and an on/off switch is provided on the black cord that exits the fixtures base.
- LIGHT SOURCE:**
 Sphera T2: 1 x 100 watt, incandescent, A-19 (provided)
 Sphera T20: 1 x 60 watt, incandescent, G16 ½ candelabra base (provided)
 Sphera T29: 1 x 100 watt, incandescent, A-19 (provided)
- FINISHES:** Polished Chrome
- GLASS COLOR:** Satin White
- NET WEIGHT:** Sphera T2: 18 lbs. / Sphera T20: 11 lbs. / Sphera T29: 16 lbs.

Leucos USA, Inc.
 11 Mayfield Avenue
 Edison, NJ 08837
 Tel: 732-225-0010
 Fax: 732-225-0250
 www.leucos.com