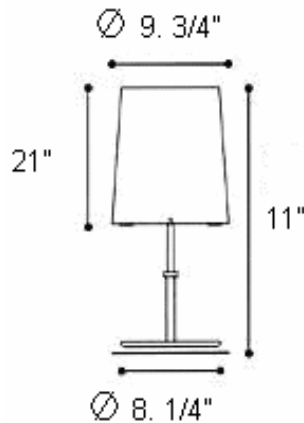


TIKAL

Design R. TOSO - N. MASSARI & ASSOCIATES



DESCRIPTION: Table lamp with hand-blown glass diffuser available in two styles: satin white and ribbed white (rigadin). Diffuser supported by a brushed nickel metal frame.

CONSTRUCTION: Hand blown glass diffuser sits atop a round brushed nickel stem and base. An on/off switch is provided on a black cord.

LIGHT SOURCE: 1 x 100 watt, incandescent, A-19, medium base, (Provided)

GLASS COLOR: Satin White or White Rigadin

NET WEIGHT: 12 lbs.

Leucos USA, Inc.
11 Mayfield Avenue
Edison, NJ 08837
Tel: 732-225-0010
Fax: 732-225-0250
www.leucos.com