

# LEUCOS®

## ISTRUZIONI DI MONTAGGIO E MANUTENZIONE INSTALLATION INSTRUCTIONS

### BELT 60

A1 Allegato  
Enclosed



Montaggio 1 persona  
One installer



Conservare le istruzioni  
Save instructions

Indice di edizione  
Revised  
07 September 2006

USA

**WARNING:- DISCONNECT POWER BEFORE INSTALLATION.**

- FIXTURE TO BE INSTALLED BY A CERTIFIED ELECTRICIAN. INSTALL IN ACCORDANCE WITH THE NATIONAL AND LOCAL ELECTRICAL CODES.
- TAKE GREAT CARE TO AVOID SCRATCHING OR CHIPPING THE GLASS WHEN CARRYING OUT THE OPERATIONS BELOW

1. Install structure "A" to the Junction Box by the medium slots "B" and level it correctly, then connect supply wires to the terminal connector. Take care to respect the correct supply polarity.

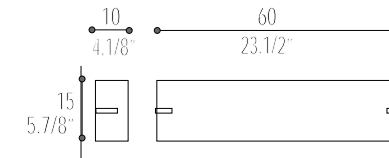
**NOTE:** Sleeve supply wires with the thermal fiber glass tubes provided.

2. Install the fluorescent tubes and make a working check then place the protection glasses "P", on top and bottom as shown, by the "V" screws provided.

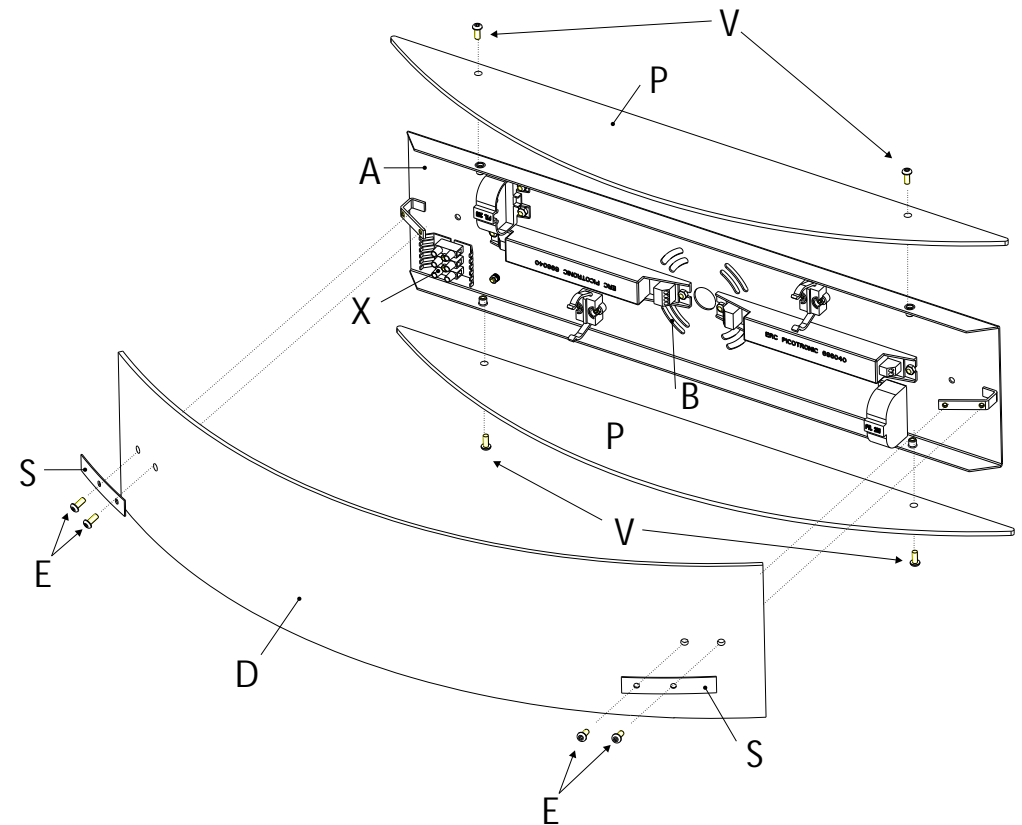
**NOTE:** Take care to tighten moderately to avoid the glass breakage.

3. Place the diffuser "D" on face at the structure as show, and secure it on corresponding side brackets by the two side clips "S" and screws "E" as shown. Take care to tighten moderately in order to avoid the breakage of diffuser.

4. Restore power.

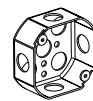


**BELT 60 2x24W 120V 2G11 Type twin tube**



For additional information please contact your local dealer or **LEUCOS U.S.A.**  
At: Tel. (732) 225-0010 Fax. (732) 225-0250

CIRCUIT DIAGRAM:



MOUNTS TO STANDARD JUNCTION BOX

