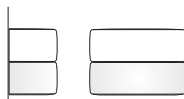


LEUCOS®

INSTRUCTIONS FOR INSTALLATION - LEUCOS USA

BISQUIT P



A1

Enclosed



One installer



Save instructions

- Revised
04/04/2007



WARNING: - Disconnect power before installation. - Fixture to be installed by a certified electrician. - Install in accordance with the national and local electrical codes. - Take great care to avoid scratching or chipping the glass when carrying out the operations below

1. FIG. 1 Install the structure "A" on the junction box by the slots provided as shown.
2. FIG. 1 Connect the fixture's electrical wires to the supply wire.
3. FIG. 2 For the Fluorescent light source, remove the reflector "P" from structure "A" and connect the fixture's electrical. Then replace the reflector.
4. FIG. 2 install the protective glass "H" on the two threaded rivets "I".
5. FIG. 3 Place glass "D" leaning on the holding collar of the structure then lock it by the thumb screw "B" on the threaded rivet "C".
6. FIG. 3-4 Place the bulb into lampholder and check its working.
7. FIG. 4 Place the upper diffuser "E" on glass "D" leaning the collar inside the provided seat "W".
8. FIG. 4 Lock the diffuser by the half plaque "F" on the upper seat then tightening the screw "Y" on the base "G" of the structure.
9. Restore power

Max power : 1x100W / 120V type A-19

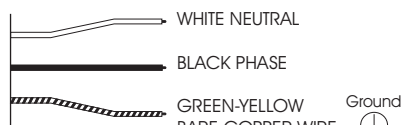


2x18 W / 120V G24q2 Type quad tube



FOR USA MARKET ONLY

CIRCUIT DIAGRAM:



MOUNTS TO STANDARD JUNCTION BOX

For additional information please contact your local dealer or LEUCOS USA at: tel. (732) 225-0010 fax (732) 225-0250

Fig.1

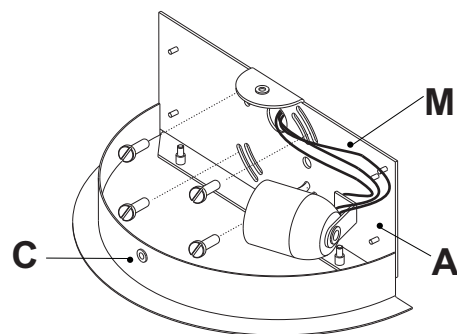


Fig.3

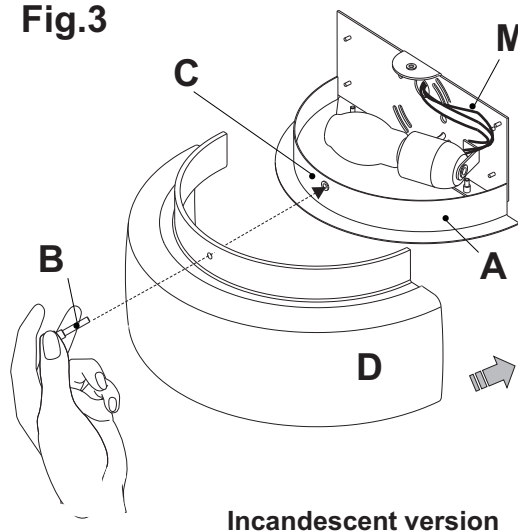
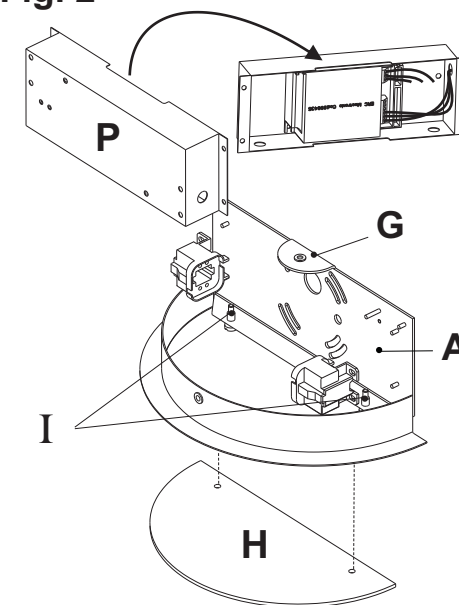


Fig. 2



Fluorescent version

Fig. 4

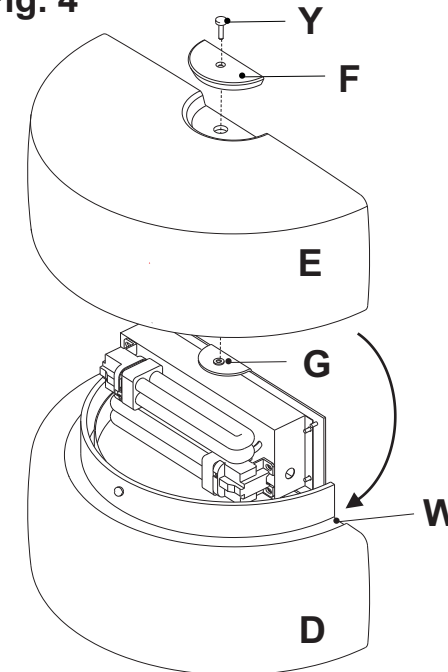


Fig. 5

