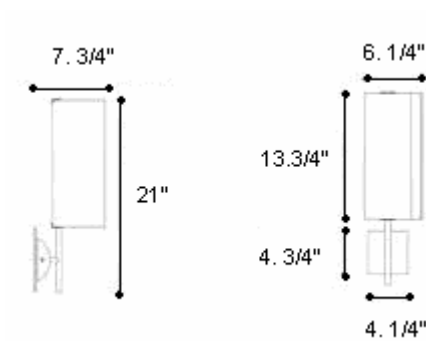


DIANE P
DESIGN R. PAMIO



DESCRIPTION: Classic wall sconce featuring a tubular, hand-blown glass shade available in 2 colors. The incandescent light source provides diffused, upward, and downward illumination.

Companion floor and table designs available.

CONSTRUCTION: A brushed aluminum back-plate and internal arm, support the wrapped hand-blown glass diffuser. Mounts to a standard 4" octagonal junction box.

LIGHT SOURCE: 1 x 100 watt, incandescent, A-19, medium base (provided)

FINISH: Brushed Nickel

GLASS COLOR: Satin White, Satin Amber

NET WEIGHT: 12 lbs.

Leucos USA, Inc.
11 Mayfield Avenue
Edison, NJ 08837
Tel: 732-225-0010
Fax: 732-225-0250
www.leucos.com