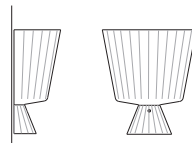


LEUCOS®

INSTALLATION INSTRUCTIONS

KATERINA P



A1 Enclosed



One installer



Save instructions

- Revised

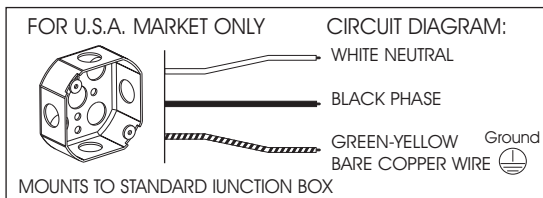
07 /03/07

WARNING:

- DISCONNECT POWER BEFORE INSTALLATION.
- FIXTURE TO BE INSTALLED BY A CERTIFIED ELECTRICIAN.
- INSTALL IN ACCORDANCE WITH THE NATIONAL AND LOCAL ELECTRICAL CODES.
- TAKE GREAT CARE TO AVOID SCRATCHING OR CHIPPING THE GLASS WHEN CARRYING OUT THE OPERATIONS BELOW

1. **FIG.1** Attach structure "A" to the J-box for U.S.A. market only.
2. Make electrical connections to supply wires.
3. **FIG. 2** Install the light bulb.
4. **FIG. 2** Place the diffuser as shown and secure it to the wall structure by screwing the thumb screw "C" to the threaded .pin "E" on structure.
5. **FIG. 1/3** Tighten moderately the two side thumb screws "F" in order to lock the diffuser. **Fig.3.**
6. Restore power.

max 1x100 W 120V E26 Type A19  (White)



For additional information please contact your local dealer or **LEUCOS U.S.A.** At:
 Tel. (732) 225-0010 Fax (732) 225-0250 www.leucos.com - e-mail: info@leucosusa.com

Fig.1

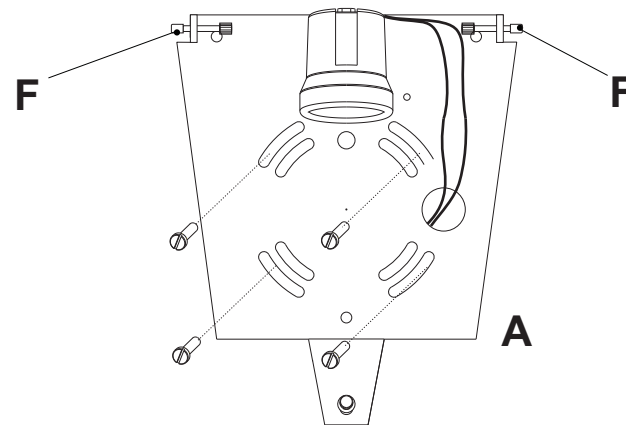


Fig.2

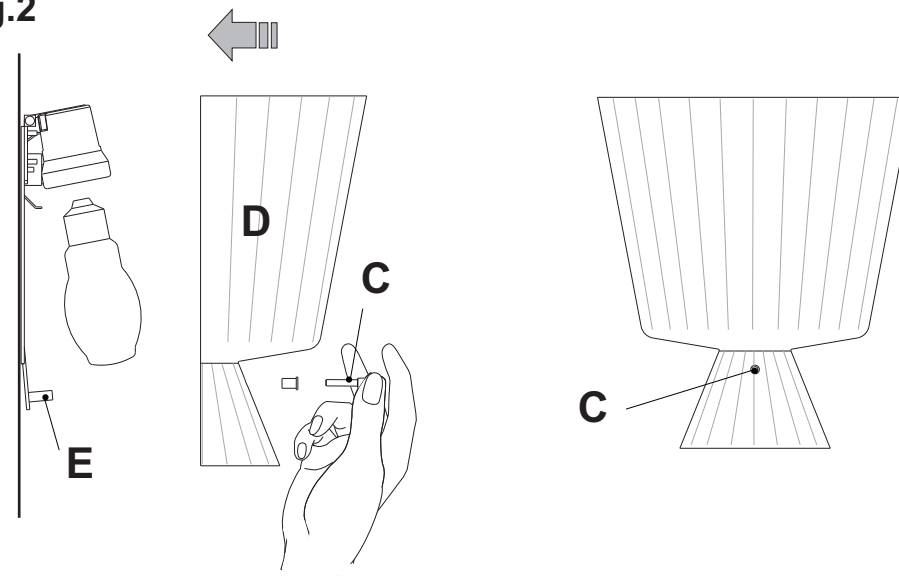


Fig.3

