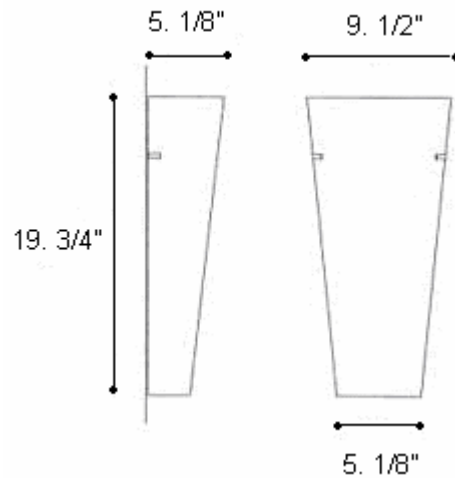


TODD
Design JORGE PENSI



DESCRIPTION: Ribbed white glass highlights this clean-lined, large scale wall sconce that provides general illumination.

CONSTRUCTION: A white metal backing mounts to a standard 4" octagonal junction box and the glass diffuser is held in place with polished chrome details.

LIGHT SOURCE: 1 x 36 watt, fluorescent, 2G11 base (Not Provided)
4 x 40 watt, halogen, G9 (Provided)

GLASS COLOR: Ribbed Gloss White

NET WEIGHT: 6 lbs.

Leucos USA, Inc.
11 Mayfield Avenue
Edison, NJ 08837
Tel: 732-225-0010
Fax: 732-225-0250
www.leucos.com