

# facet clip


wall or ceiling mounted luminaire for diffused incandescent or fluorescent lighting.

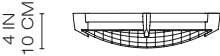
design  
ron rezek


- . diffuser in sandblasted faceted glass.
- . back plate in white powder coated steel.
- . glass retaining clips in brushed nickel plated steel.
- . mounting to standard electrical junction boxes.





ADA facet clip

 17 IN  
43 CM



**incandescent source**  
2X60W (E26/A19) 

**fluorescent sources**  
2X13W (T4/GX23)   
2X26W (T4/G24Q3)   
1X38W (2D/GR10Q) 